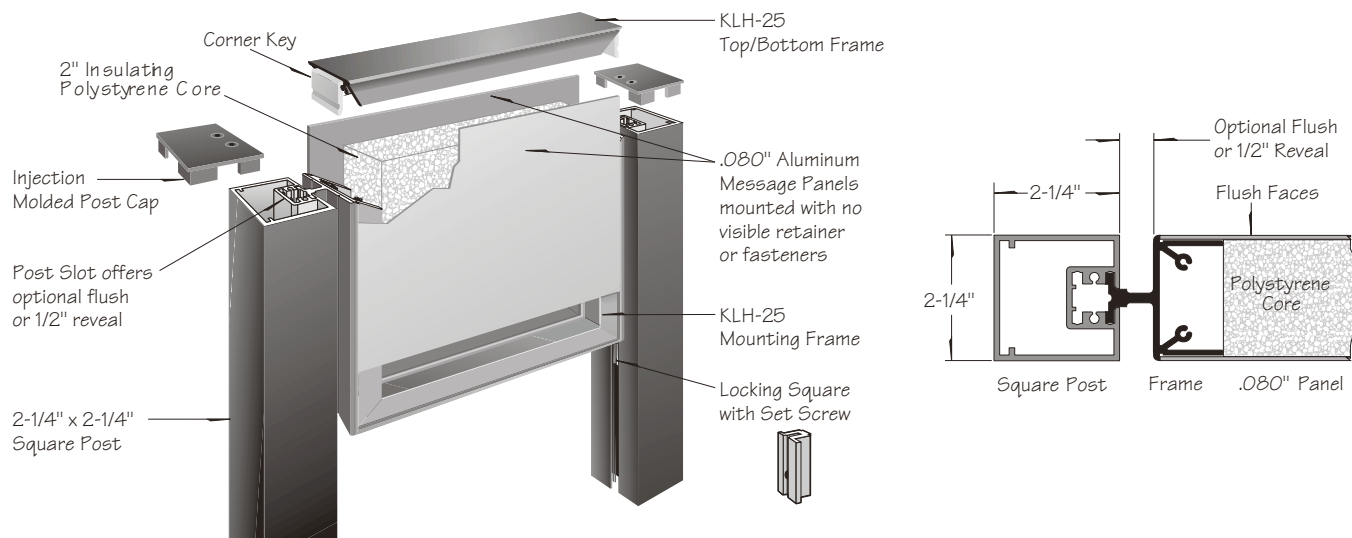


# KLH-25



technical information